

debit card systems
STANDARD MOUNTING PATTERN

MANUAL

This manual has been prepared
for the amusement industry by
the AAMA Standardization Committee



**AMERICAN AMUSEMENT
MACHINE ASSOCIATION**

questions?

AAMA Office: 847.290.9088 or info@coin-op.org

Adam Ambrosius: 920.822.3951 ext.1856 or aambrosius@baytekent.com

CHECK OUT AAMA's OTHER PROGRAMS & SERVICES AT COIN-OP.ORG

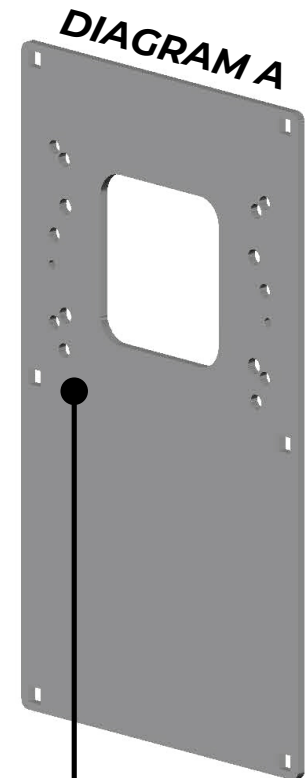
PROBLEM

DEBIT CARD READER(S) VARIOUS MOUNTING PATTERNS

- Every different debit card reader has a different mounting style and hole pattern.
- No set location for debit card readers on products.
- Customers are required to drill the respective holes for mounting, which are currently all different for every card system and reader types (see diagram A).
- Drilling out holes outside a controlled factory setting may result in debris that could be unsafe and/or cause damage to product.

TIME AND MONEY

- On average, distributors and locations slot 30 minutes per reader for installation.
- To install/update a game room with a new card reader system requires a significant amount of time and resources which can be very costly to the location.
- When updating games, locations may be required to repair areas where coin mechs were located to install the new card readers.



Example of
8 different
debit card
mounting
patterns

SOLUTION

STANDARDIZED MOUNTING PATTERN

- Standardized following mounting pattern on the next page for all debit card readers.
- By doing so, manufacturers can start to adopt the standard hole pattern on to products to ease customer install.

TIME AND MONEY

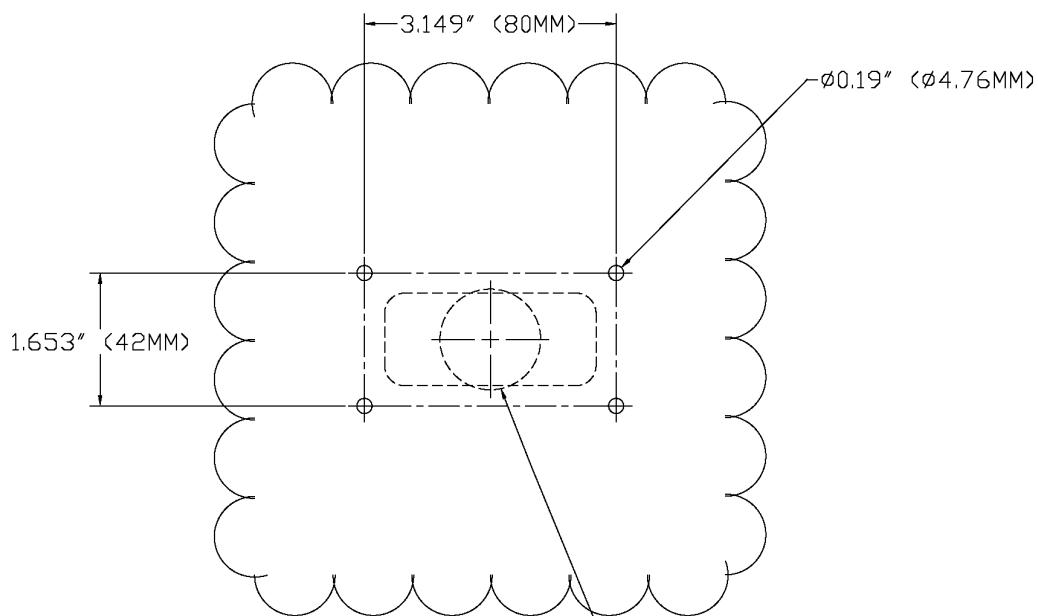
- With a standardized mounting pattern, debit card systems would share the same hole and mounting pattern, ultimately reducing installation time and resources.
- Ease of installation.

2 PHASE ROLL OUT

PHASE 1: DEBIT CARD MFG

- Engage debit card reader manufacturers to incorporate the standard mounting pattern into their new products.

RECOMMENDED SOLUTION



NOTE:

THE FOLLOWING SCREW/STUD SIZES CAN BE USED IN LIEU OF THE STANDARD THRU HOLES AS SHOWN.

ENGLISH: #6, #8, OR #10

METRIC: M1.6, M2, OR M2.5

OPTIONAL STUDS NOT TO EXCEED 1-1/2" (38MM) LONG

CONNECTOR ACCESS

| | | |
|--|-----------------|---|
| <small>UNLESS OTHERWISE SPECIFIED DIMENSIONS ARE IN INCHES DIMENSIONS IN PARENTHESES ARE IN METRIC TOLERANCES ARE: FRACTIONS DECIMALS METRIC ±.005 ±.0005 ±.0005</small> | | CARD READER PATTERN |
| DESIGNED BY MC | DATE 1/21/20 | AMERICAN AMUSEMENT MACHINE ASSOCIATION ST |
| DRAWN BY MHC | PROJ 11 | REV 1 |
| SHEET 1 OF 1 | SCALE 1:1 | DATE PLOTTED 1/21/20 |

PHASE 2: GAME MFG

- Engage game manufacturers to incorporate a standard card reader location into video and redemption games. The Connector Access should remain within the dimensions of the the 4-hole pattern.

Our goal is to mirror what the vending industry did with standard mounting and connection and apply it to the debit card vendors in the amusement industry.

NOTICE AND DISCLAIMER OF LIABILITY CONCERNING THE USE OF AAMA STANDARDS

AAMA standards, recommended practices, and guides of which the document contained herein is one, are developed through a standardization committee process. This process brings together volunteers representing varied viewpoints and interests to achieve consensus on standardization issues. While the AAMA administers the process and establishes rules to promote fairness in the development of consensus, it does not independently test, evaluate, or verify the accuracy of any information or the soundness of any judgments contained in AAMA Standards.

The AAMA disclaims liability for any personal injury, property or other damages of any nature whatsoever, whether special, indirect, consequential or compensatory, directly or indirectly resulting from the publication, use of, or reliance on AAMA Standards. The AAMA also makes no guaranty or warranty as to the accuracy or completeness of any information published herein.

In issuing and making AAMA Standards available, the AAMA is not undertaking to render professional or other services for or on behalf of any person or entity. Nor is the AAMA undertaking to perform any duty owed by any person or entity to someone else. Anyone using this document should rely on his or her own independent judgment or, as appropriate, seek the advice of a competent professional in determining the exercise of reasonable care in any given circumstances.

The AAMA has no power, nor does it undertake, to police or enforce compliance with the contents of AAMA Standards. Nor does the AAMA list, certify, test, or inspect products, designs, or installations for compliance with this document. Any certification or other statement of compliance with the requirements of this document shall not be attributable to the AAMA and is solely the responsibility of the certifier or maker of the statement.

UPDATING OF AAMA STANDARDS

Users of AAMA standards, recommended practices, and guides should be aware that these documents may be superseded at any time by the issuance of new editions. An official AAMA Standard at any point in time consists of the current edition of the document. In order to determine whether a given document is the current edition, consult appropriate AAMA publications on the AAMA website at www.coin-op.org or contact the AAMA at the address listed below.

PATENTS

The AAMA does not take any position with respect to the validity of any patent rights referenced in, related to, or asserted in connection with an AAMA Standard. The users of AAMA Standards bear the sole responsibility for determining the validity of any such patent rights, as well as the risk of infringement of such rights, and the AAMA disclaims liability for the infringement of any patent resulting from the use of or reliance on AAMA Standards.

AAMA adheres to the policy of the American National Standards Institute (ANSI) regarding the inclusion of patents in American National Standards ("the ANSI Patent Policy"), and hereby gives the following notice pursuant to that policy:

NOTICE: The user's attention is called to the possibility that compliance with an AAMA Standard may require use of an invention covered by patent rights. AAMA takes no position as to the validity of any such patent rights or as to whether such patent rights constitute or include essential patent claims under the AAMA Patent Policy.

LAW AND REGULATIONS

Users of AAMA Standards should consult applicable federal, state, and local laws and regulations. AAMA does not, by the publication of its standards, recommended practices, and guides, intend to urge action that is not in compliance with applicable laws, and these documents may not be construed as doing so.

FOR FURTHER INFORMATION

All questions or other communications relating to AAMA Standards and all requests for information on AAMA procedures governing its standards development process, including information on the procedures for requesting Formal Interpretations, for proposing Tentative Interim Amendments, and for proposing revisions to AAMA standards during regular revision cycles, should be sent to:

American Amusement Machine Association
Attn: Standardization Committee
450 E. Higgins Road, Suite 201
Elk Grove Village, IL 60007

PUBLISHED BY:

American Amusement Machine Association (AAMA)
450 E. Higgins Road, Suite 201, Elk Grove Village, Illinois 60007
(847) 290-9088 | info@coin-op.org | www.coin-op.org

02/07/2020

WRITTEN BY:

Tina Schwartz, AAMA

DEVELOPED BY:

Adam Ambrosius, AAMA Standardization Committee Chairman
AAMA Standardization Committee Members & Contributing Industry Manufacturers and Suppliers